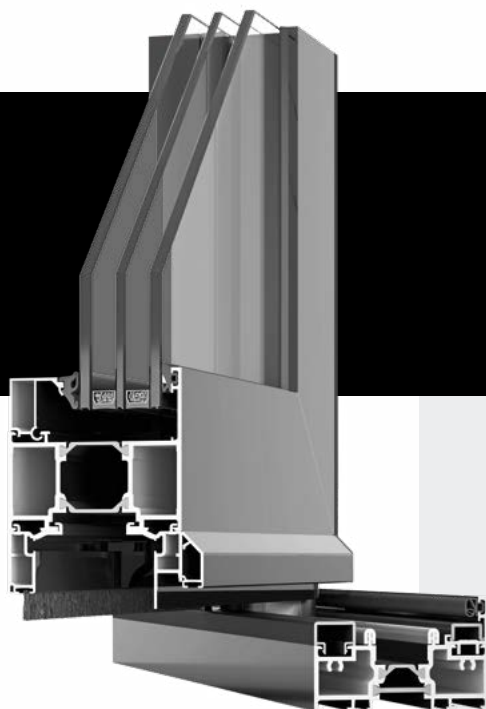


ESSENCE ALU

VS BI-FOLD door

THERMALLY INSULATED PROFILES

anti-burglary/tampering hardware



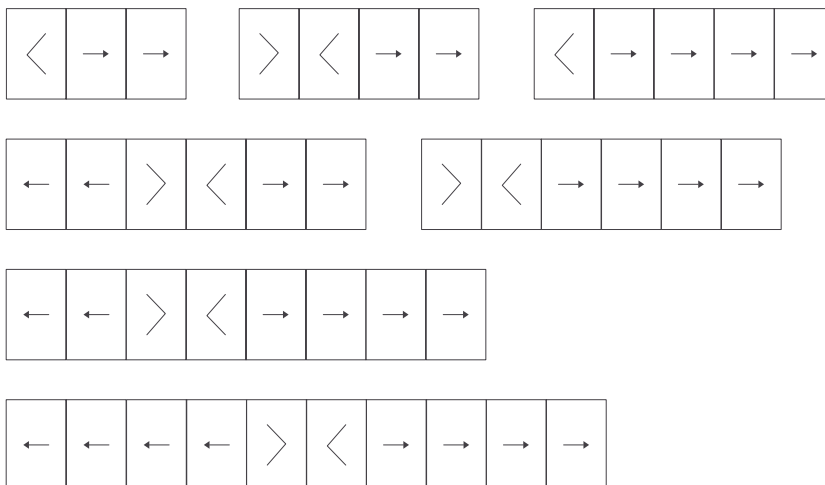
With our Bi-Fold Doors, we turn every season into a wonderful time, allowing the maximum opening thanks to the folding system during hot seasons and granting warmer rooms in cold seasons. A clean contemporary design that maximize glass and light, up to an opening of 10 meters.

BI-FOLD DOORS

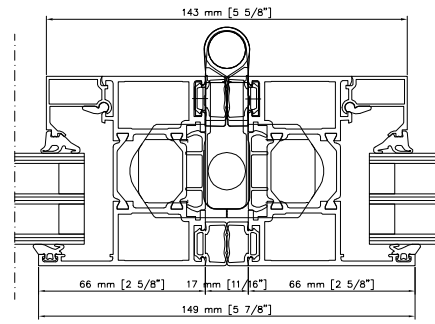
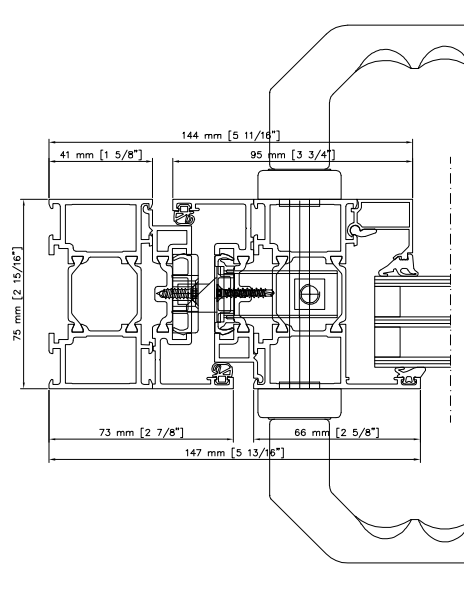
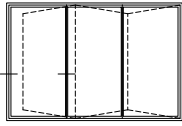
- > Thermally insulated system.
- > Panels can be opened one side or two sides.
- > From 3 to 10 panels.
- > Opening inwards or outwards.
- > Main panel positioned centrally or to one side.
- > Flush threshold for persons with reduced mobility.
- > Three-point locking, with keys.
- > Panel max. size: L 1200 mm x H 3000 mm.
- > Weight of one panel up to 150 kg.
- > Glass thickness from 6 mm to 60 mm.

OPENING TYPE

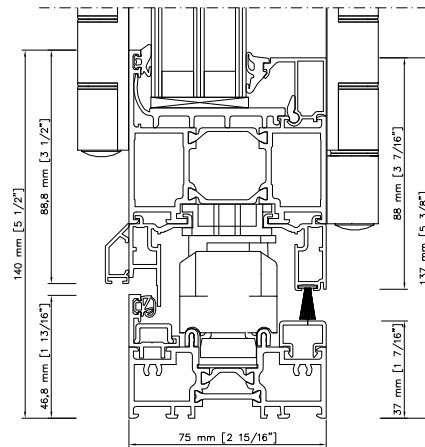
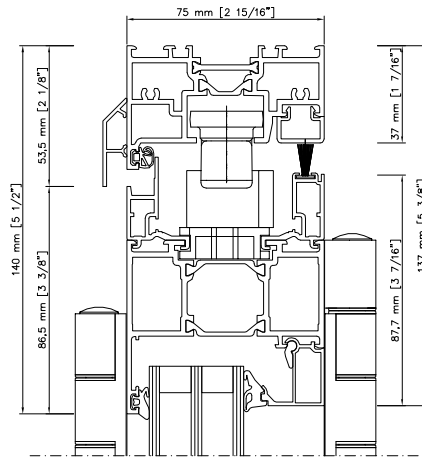
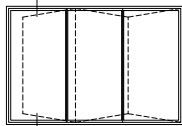
Inward opening
Outward opening



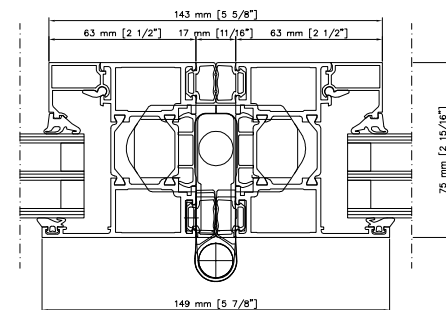
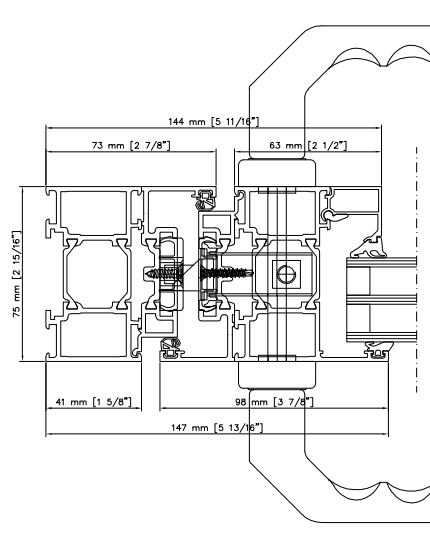
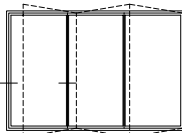
**INSWING
HORIZONTAL
SECTION**



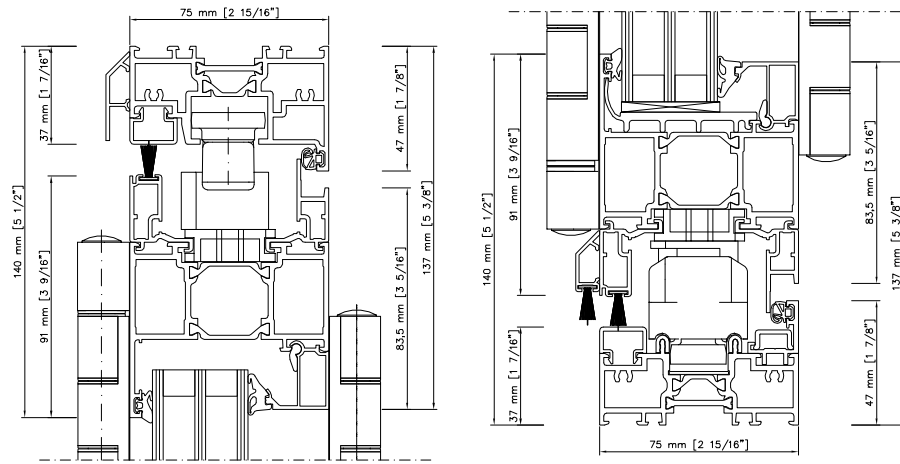
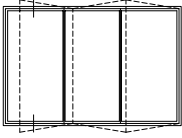
**INSWING
VERTICAL
SECTION**



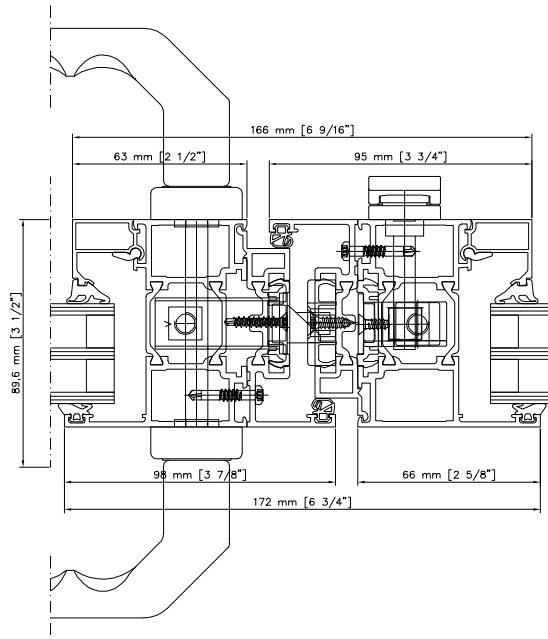
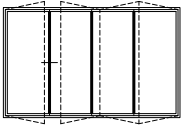
**OUTSWING
HORIZONTAL
SECTION**



**OUTSWING
VERTICAL
SECTION**



**DOUBLE
DOOR**



**FLUSH
THRESHOLD**

