

ESSENCE ALU

VS115w sliding, lift and slide

COLD PROFILES

security multiple locking hardware

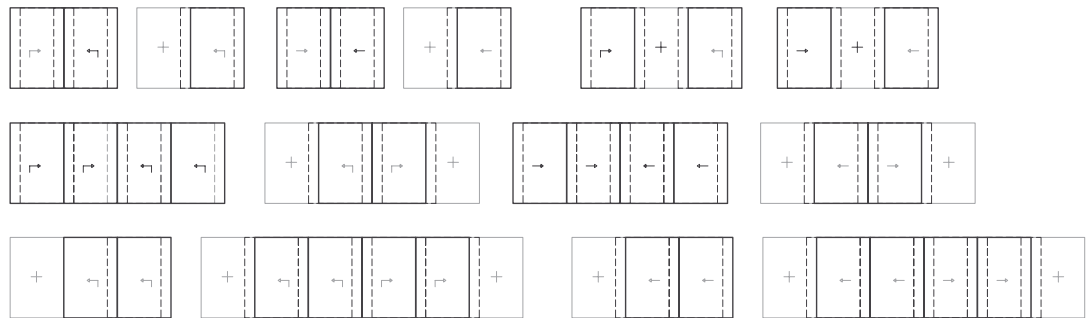


Compact and functional sliding door, that accompanies furniture and wooden items bringing total harmony to your house and building.

SLIDING

- > Certified opening system.
- > Burglar-proof hardware for lift-and-slide version.
- > Aluminum glazing bead with mechanical fixing for improved security.
- > Glazing options from 8 mm up to 28 mm glass thickness.
- > Capacity for 150 kg to 200 kg door.
- > Standard rails: from 2 to 3.

OPENING TYPE



TESTS & REFERENCE STANDARDS

Note: all measurements are made using the SI, the values shown can be approximated due to the conversion



WATERPROOFING
CLASS LC PG 30

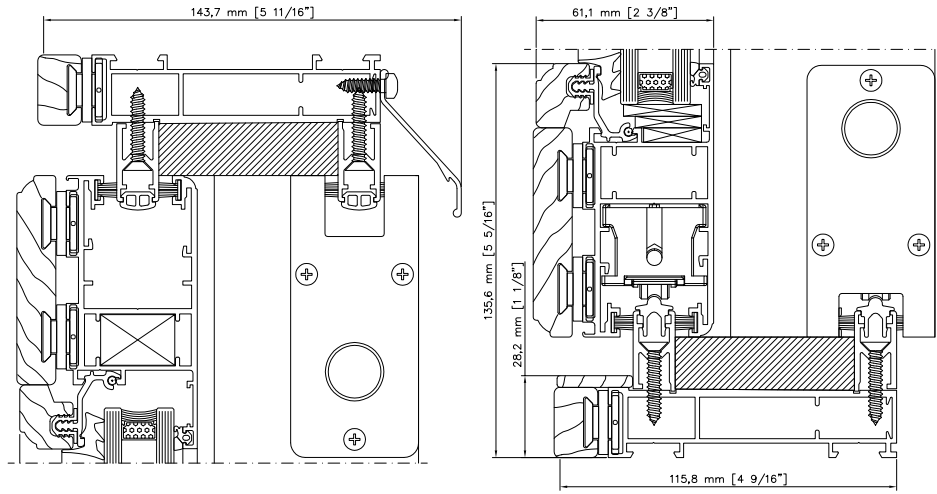
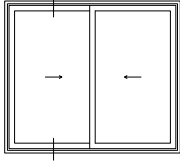


NOISE PERFORMANCE
32 DB

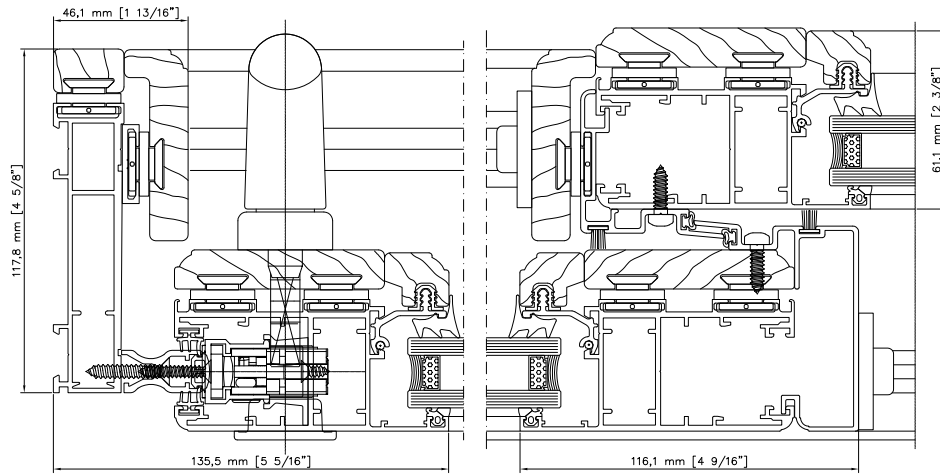
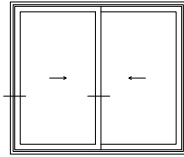


THERMAL TRANSMITTANCE
U=0.508 [BTU/HR FT² °F]

**2 RAILS
VERTICAL
SECTION**



**2 RAILS
HORIZONTAL
SECTION**



**3 RAILS
VERTICAL
SECTION**

