

ESSENCE ALU

VS57w windows and doors

COLD PROFILES

anti-burglary/tampering
hardware



Base product that combines the technical characteristics of aluminum with the warmth of wood. Ideal solution for indoor spaces or temperate environments.

WINDOWS

- > Certified performance for water, air and wind.
- > Rubber gaskets for water and air sealing.
- > Glazing options from 5 mm up to 24 mm glass thickness.

DOORS

- > Certified performance for water, air and wind.
- > Mechanical fixed aluminum glazing beads for improved security.
- > Internal and external opening.
- > Multipoint security locking hardware.
- > Glazing options from 5 mm up to 24 mm glass thickness.

TESTS & REFERENCE STANDARDS

Note: all measurements are made using the SI, the values shown can be approximated due to the conversion



AIR PERMEABILITY
CLASS LC PG 80



WATERPROOFING
CLASS LC PG 80



WIND RESISTANCE
CLASS R PG 35

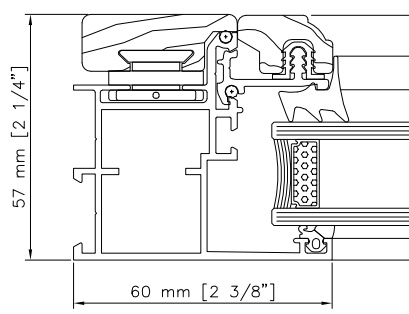
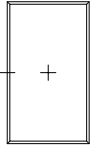


NOISE PERFORMANCE
38 DB

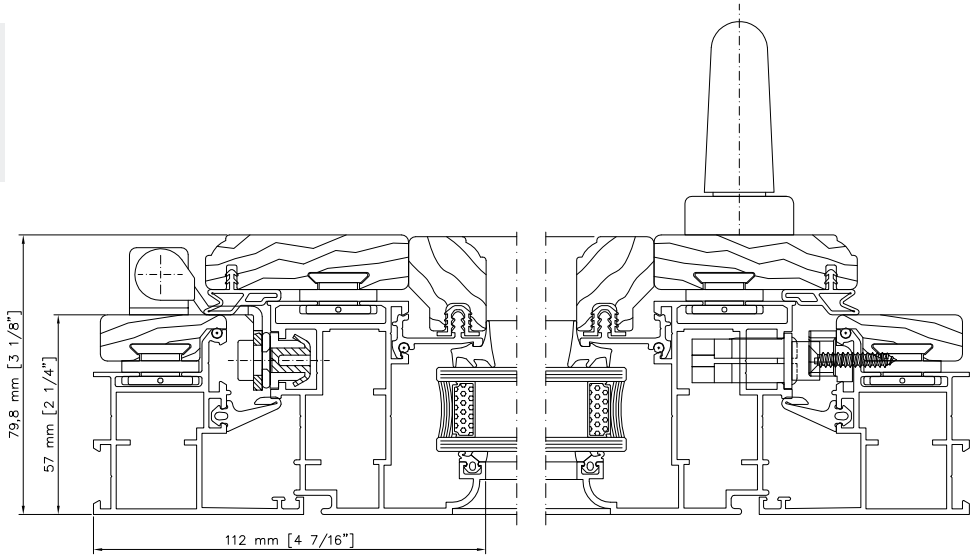
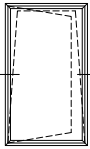


THERMAL TRANSMITTANCE
U=0.395 [BTU/HR FT² °F]

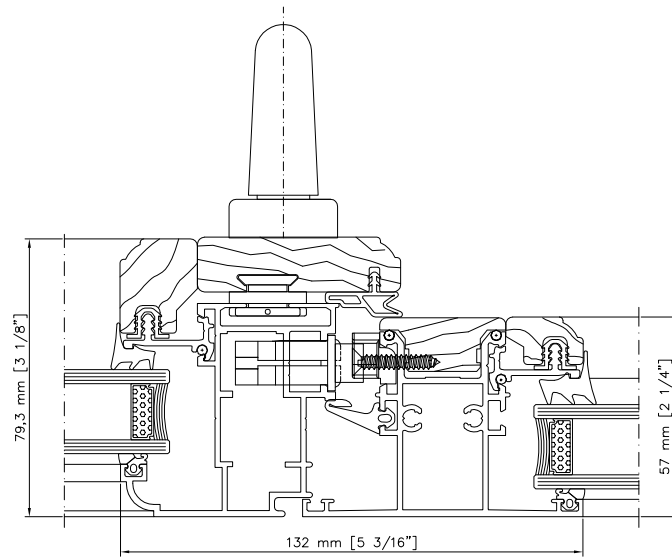
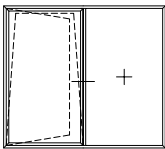
FIXED FRAMES



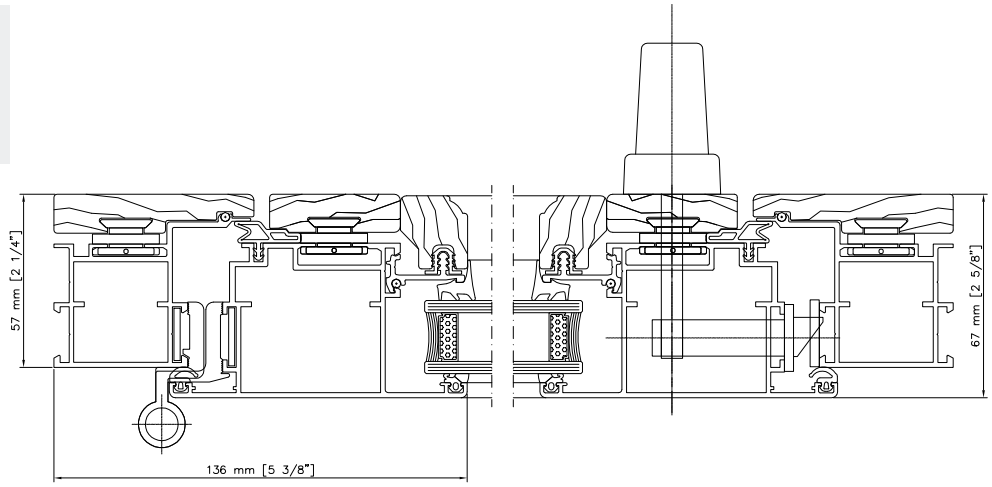
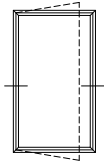
WINDOWS OPEN IN



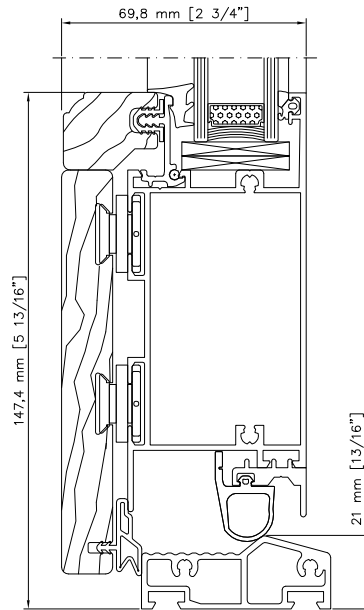
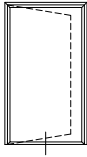
WINDOWS OPEN IN ON FIXED FRAME



**WINDOWS
OPEN OUT**



**DOORS
OPEN IN**



**DOORS
OPEN OUT**

