

ESSENCE ALU

VS72w windows and doors

THERMALLY INSULATED PROFILES

lowered
flushed threshold



security multiple
locking hardware



High performance solution combined with the elegance of wood, to meet the most demanding aesthetic requirements. The reliability of aluminum and the warmth of wood combine in one element.

WINDOWS

- > Ideal for renovations, for its reduced dimension.
- > Thermally insulated aluminum profiles.
- > Rubber gaskets help to improve water, air and wind performance.
- > Option to mount invisible hardware for better aesthetics.
- > Glazing options from 23 mm up to 34 mm glass thickness.

DOORS

- > Certified performance for water, air and wind.
- > Thermally insulated profiles.
- > Mechanical fixed aluminum glazing beads for improved security.
- > Multipoint security locking hardware.
- > Internal and external opening.
- > Glazing options from 22 mm up to 45 mm glass thickness.

TESTS & REFERENCE STANDARDS

Note: all measurements are made using the SI, the values shown can be approximated due to the conversion



AIR PERMEABILITY
CLASS LC PG 80



WATERPROOFING
CLASS LC PG 80



WIND RESISTANCE
CLASS R PG 35

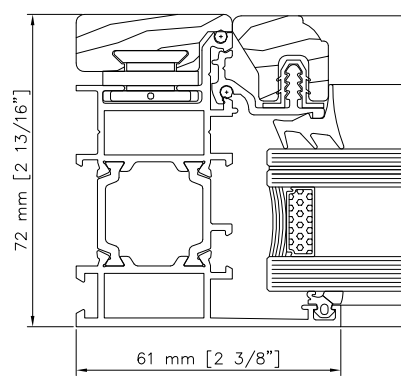
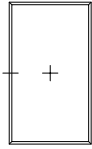


NOISE PERFORMANCE
42 DB

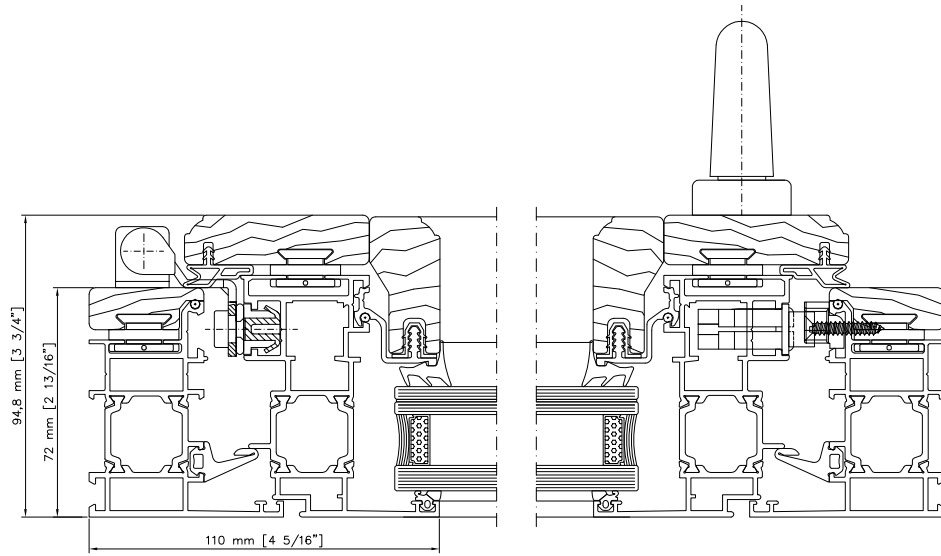
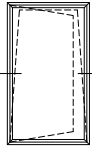


THERMAL TRANSMITTANCE
U=0.310 [BTU/HR FT² °F]

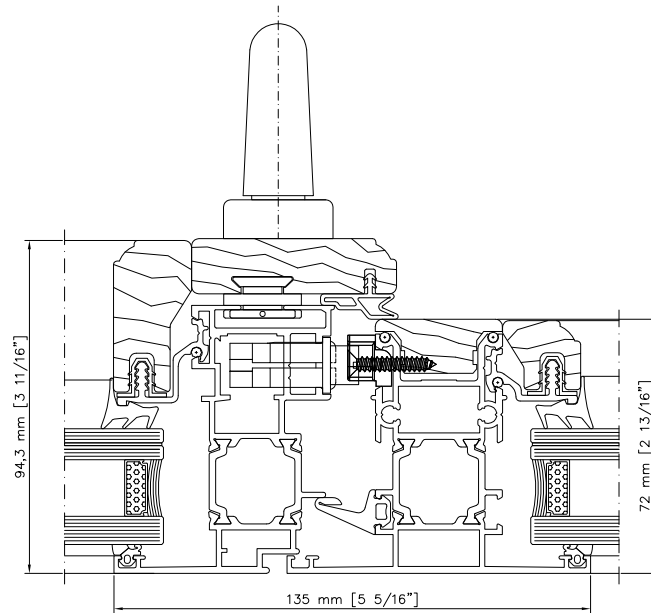
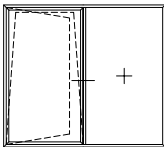
**FIXED
FRAMES**



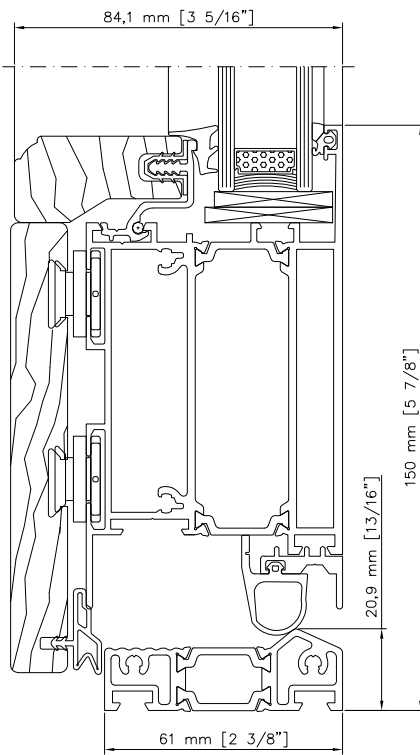
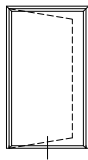
**WINDOWS
OPEN IN**



**WINDOWS
OPEN IN
ON FIXED
FRAME**



**DOORS
OPEN IN**



**DOORS
OPEN OUT**

