

# ESSENCE ALU

## VS76 windows and doors

**THERMALLY  
INSULATED PROFILES**

anti-burglary/tampering  
hardware



First-rate excellent series that pushes thermal values beyond the standards and achieves great results in applications. Ideal for those looking for Passivhaus certification, together with technological advances that maximize the efficiency and comfort.

### WINDOWS

- > Thermally insulated construction with internal face fitted sash for windows and French windows.
- > Fixed frame depth of 76 mm, sash frame depth of 86mm.
- > Systems with centre gasket and internal rebate gasket.
- > Glazing options from 15 mm up to 69 mm glass thickness.
- > Option to mount invisible hardware for better aesthetics.

### DOORS

- > Thermally insulated construction internal and external tilt/slide sash for rebated doors.
- > Frame depth of 76 mm, door sash frame depth of 76 mm.
- > Systems with internal and external rebate gaskets.
- > Glazing options from 15 mm up to 59 mm glass thickness.
- > Option to mount invisible hardware for better aesthetics.

### SASH AND GLAZING BEAD OPTIONS

#### Standard



#### Moulded



#### Rounded



### TESTS & REFERENCE STANDARDS

Note: all measurements are made using the SI, the values shown can be approximated due to the conversion



AIR PERMEABILITY  
**CLASS LC PG 80**



WATERPROOFING  
**CLASS LC PG 80**



WIND RESISTANCE  
**CLASS LC PG 35**

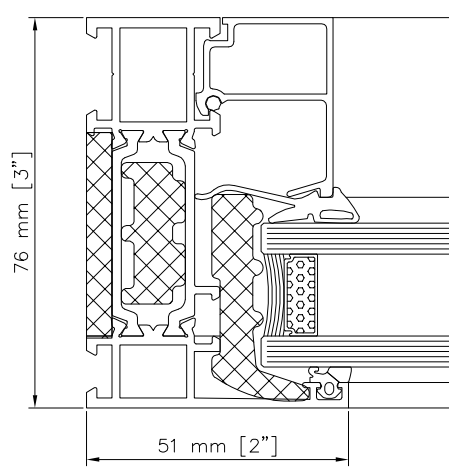
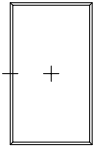


NOISE PERFORMANCE  
**48 DB**

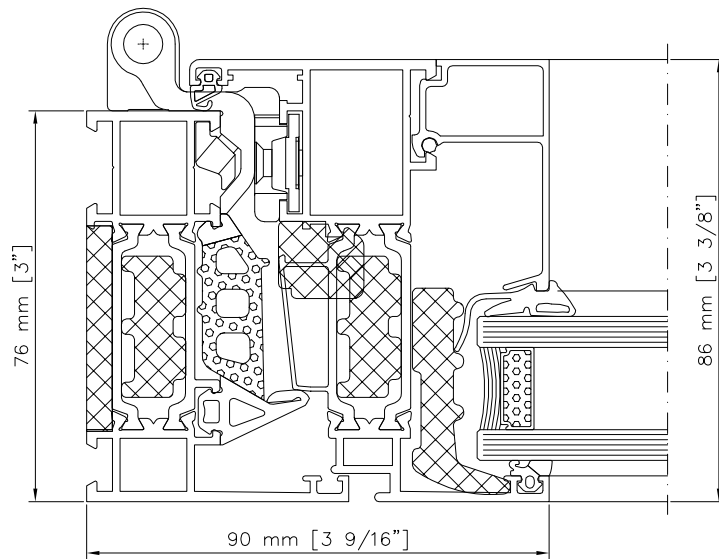


THERMAL TRANSMITTANCE  
**Double Glazing: U=0.303 [BTU/HR FT<sup>2</sup> °F]**  
**Triple Glazing: U=0.194 [BTU/HR FT<sup>2</sup> °F]**

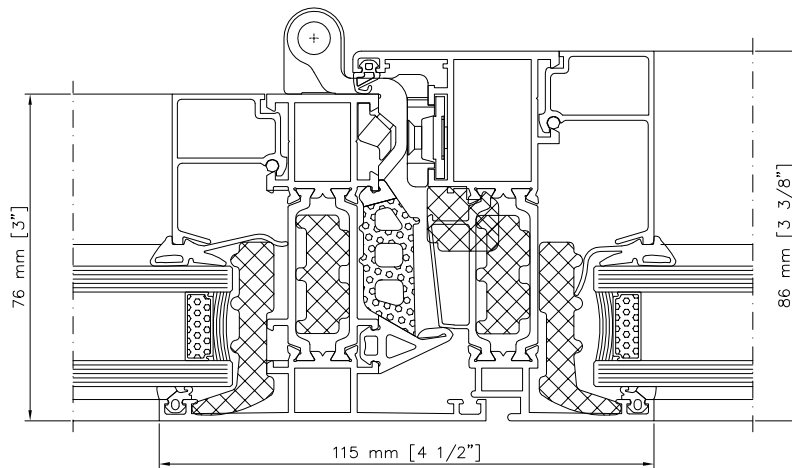
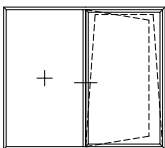
**FIXED  
FRAMES**



**WINDOWS  
OPEN IN**

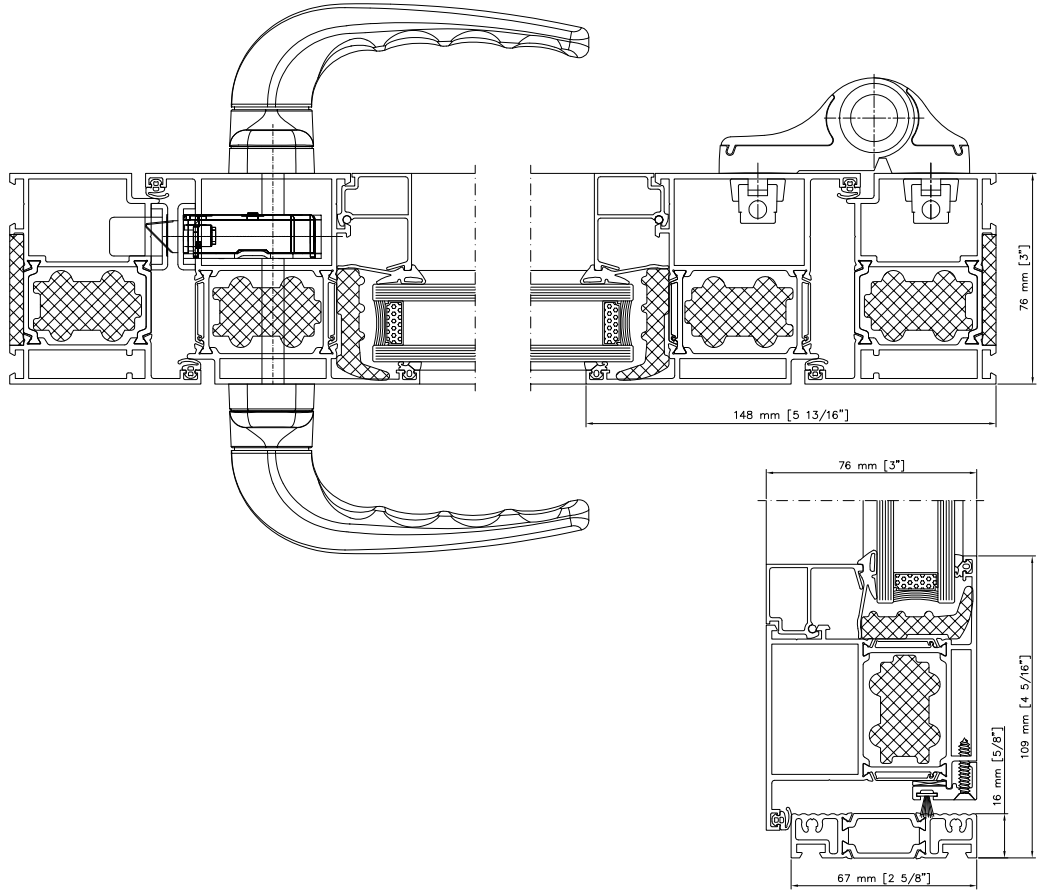
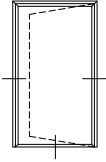


**WINDOWS  
OPEN IN  
ON FIXED FRAME**



**Thermally Insulated Profiles - ESSENCE ALU - VS76**

DOORS  
OPEN IN



DOORS  
OPEN OUT

