

ESSENCE ALU

**THERMALLY
INSULATED PROFILES**

VS80 sliding windows and doors

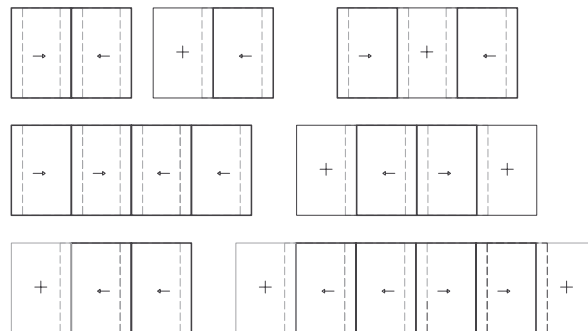


Innovative thermally insulated sliding frame that achieves state-of-the-art performance results. This series combines demand for maximizing light-emitting surfaces with limited dimension frames.

SLIDING WINDOWS AND DOORS

- > Thermally insulated system.
- > Glazing options from 26 mm up to 37 mm glass thickness.
- > Sash and frame visible surface is 105 mm.
- > Capacity for 200 kg door.
- > Standard rails: from 2 to 3.
- > Precautionary internal water collection tank.

OPENING TYPE



TESTS & REFERENCE STANDARDS

Note: all measurements are made using the SI, the values shown can be approximated due to the conversion



AIR PERMEABILITY
CLASS LC PG 80



WATERPROOFING
CLASS LC PG 40



WIND RESISTANCE
CLASS R PG 25

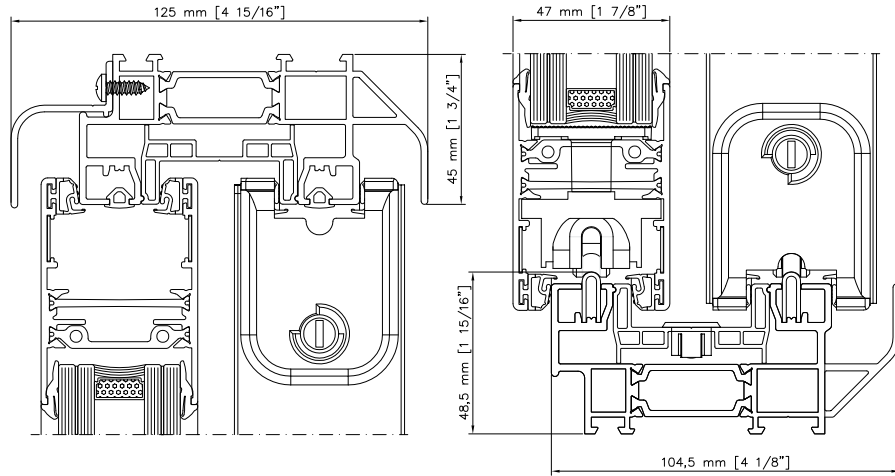
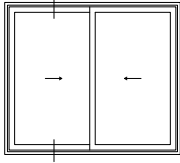


NOISE PERFORMANCE
40 DB

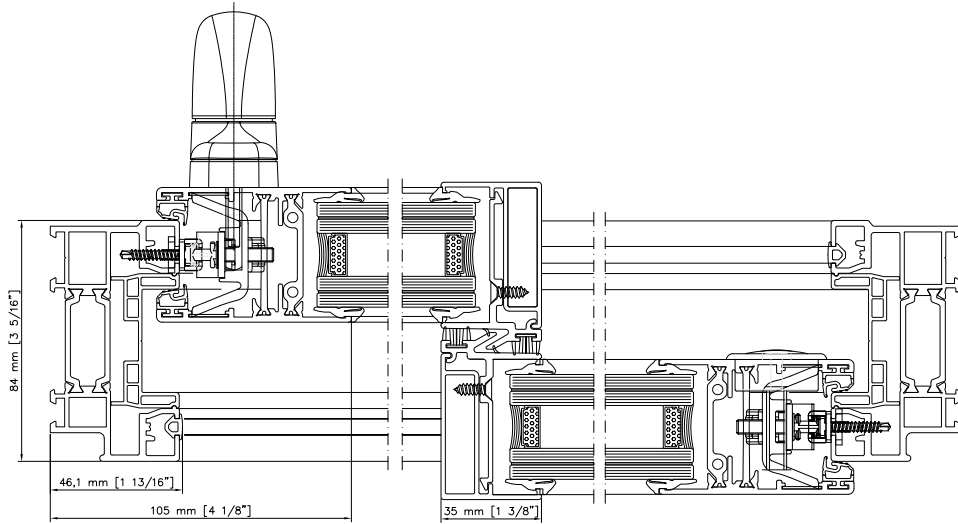
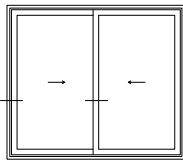


THERMAL TRANSMITTANCE
U=0.394 [BTU/HR FT² °F]

**2 RAILS
VERTICAL
SECTION**



**2 RAILS
HORIZONTAL
SECTION**



**3 RAILS
VERTICAL
SECTION**

