

# VIEWSCAPES

VS65 - DOORS & WINDOWS



# VS65

## DOORS & WINDOWS

### VERSATILE & FUNCTIONAL FOR ARCHITECTURAL NEEDS

- THERMALLY-BROKEN
- DOUBLE AND TRIPLE GLAZING
- INSWING AND OUTSWING OPENING
- COMPREHENSIVE COLLECTION OF PRODUCT TYPES
- PIVOT DOOR AVAILABLE
- CUSTOMIZATIONS AVAILABLE
- SQUARED GLAZING BEAD
- SCREEN OPTIONS

#### CERTIFICATIONS



#### IMPACT TESTED FOR HURRICANE ZONES

tested configurations:  
 casement 4'x7'H (1219 x 2134 H mm)  
 tilt/turn 5'x8'H (1524 x 2438 H mm)

static load for TAS 202-94 at Design Pressure  $\pm$  75 psf ( $\pm$  3591 Pa)

large missile impact for TAS 201-94

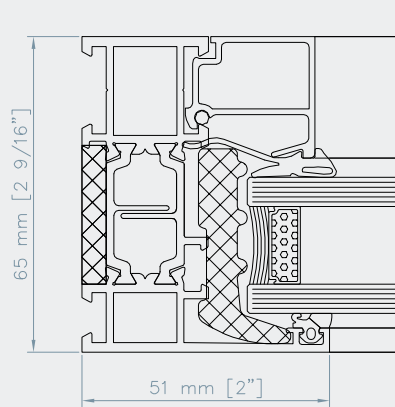
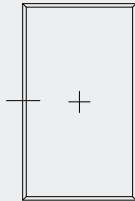
cyclic load for TAS 203-94 94 at Design Pressure  $\pm$  75 psf ( $\pm$  3591 Pa)



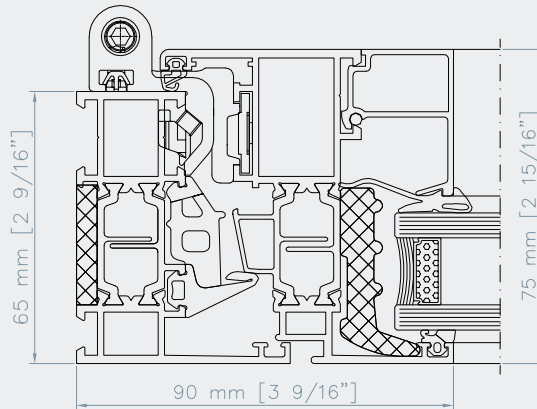
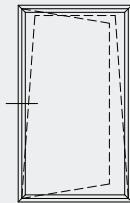
# CONFIGURATIONS

## VS65

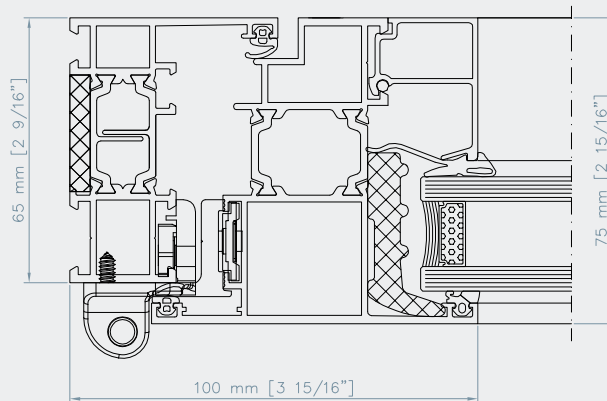
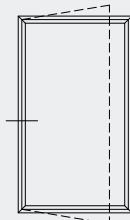
FIXED  
FRAME



INSWING  
WINDOW



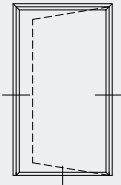
OUTSWING  
WINDOW



# CONFIGURATIONS

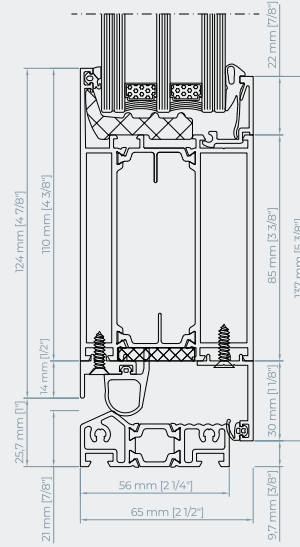
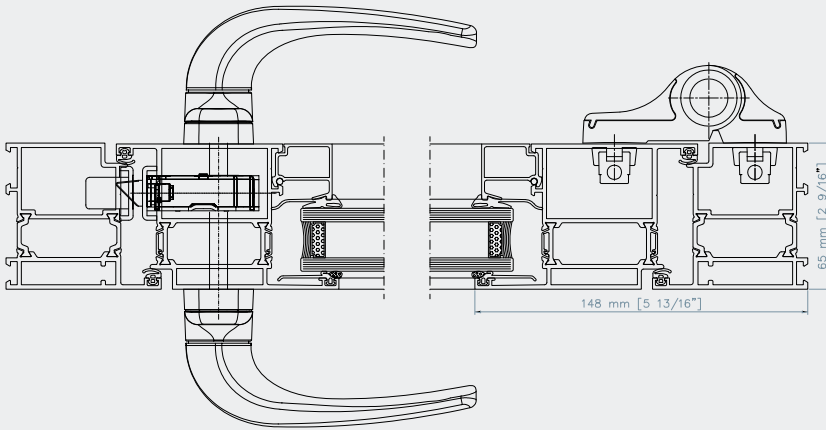
## VS65

INSWING  
DOOR



STANDARD  
DOOR  
THRESHOLD

other options  
available on demand



OUTSWING  
DOOR



STANDARD  
DOOR  
THRESHOLD

other options  
available on demand

