

VIEWSCAPES

VSBF - BIFOLD





VSBF

— BIFOLD

MAXIMIZING CLEAR OPENINGS
FOR OUTDOOR ENJOYMENT

- THERMALLY-BROKEN SYSTEM
- DOUBLE AND TRIPLE GLAZING
- UP TO 10 PANELS MAX
- OPENING INWARDS OR OUTWARDS
- MULTIPOINT LOCKING
- PANEL MAX SIZE 3' 11 1/4" X 9' 10 1/8"
(1200X3000 MM)
- WEIGHT OF ONE PANEL UP TO 150KG OR 330 LBS
- CUSTOMIZATIONS AVAILABLE
- SQUARED GLAZING BEAD

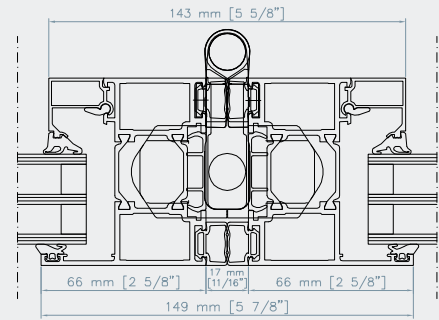
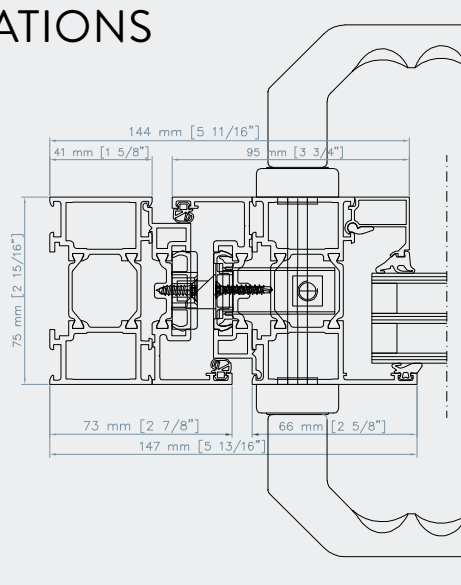
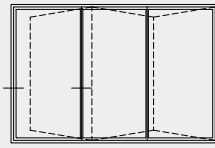
— CERTIFICATIONS



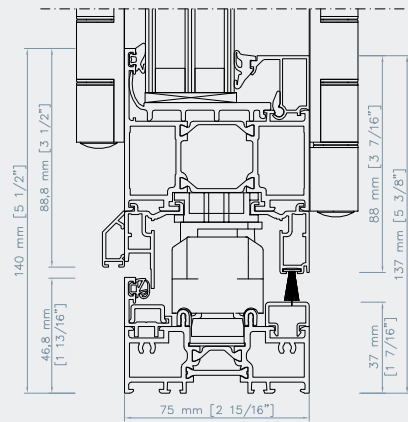
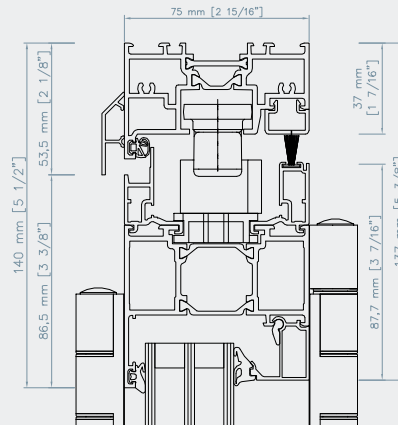
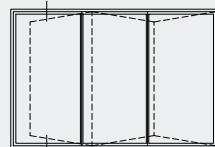
CONFIGURATIONS

VSBF

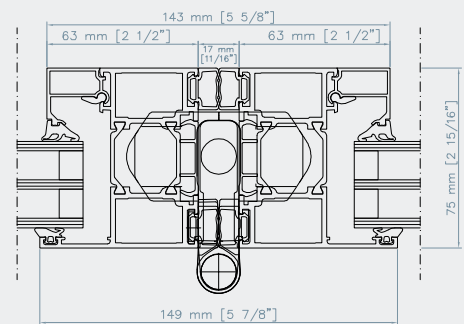
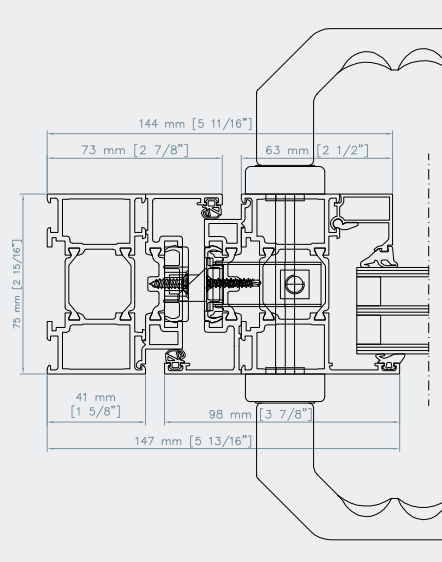
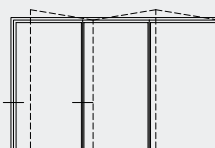
INSWING HORIZONTAL SECTION



INSWING VERTICAL SECTION



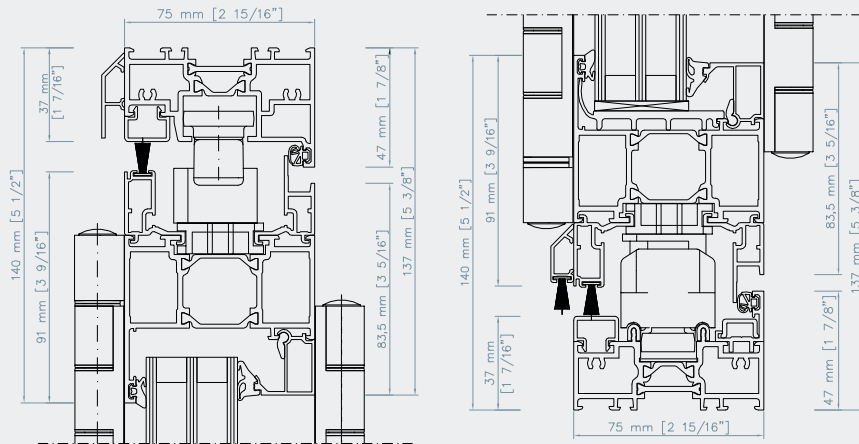
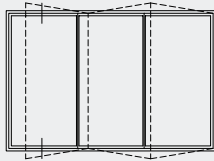
OUTSWING HORIZONTAL SECTION



CONFIGURATIONS

VSBF

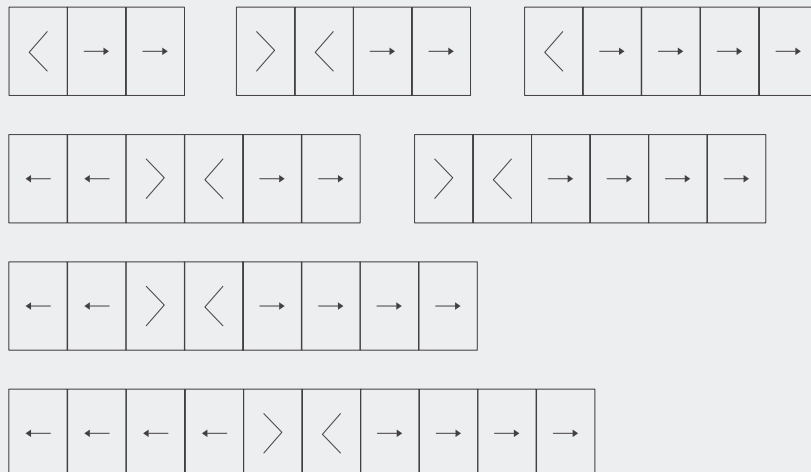
OUTSWING
VERTICAL
SECTION



OPENING TYPE

VSBF

INWARD OPENING
OUTWARD OPENING



VSBF HARDWARE COMPONENTS



**CONCEALED
ROLLERS**
black finish



HINGES
black finish



**PULL
HANDLE**
can be painted to match
window finish



**SECONDARY
HANDLE**
can be painted to match
window finish



